

HYVA CYLINDERS



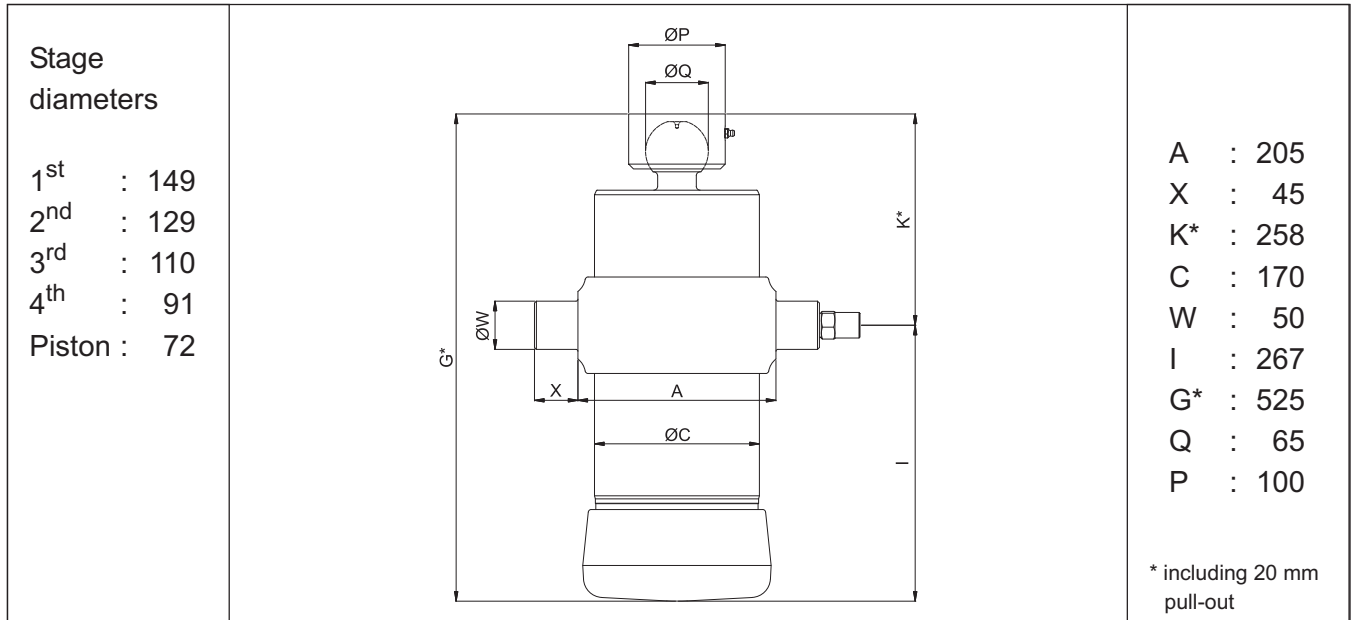
THREE-WAY / UNDERBODY TIPPING CYLINDER

Hyva

type : UCB 149-5-01480-K258-I267-50-3/4"-HC

part number cylinder only : 714 05 421

page # 1 / 1



specifications

type	: UCB 149-5-01480-K258-I267-50-3/4"-HC
number of extensions	: 5
total stroke	: 1480 mm
weight cylinder only	: 69 kg
tipping weight	: 17 ton
total volume	: 16.3 L
working volume	: 15.0 L
max. pressure	: 220 bar
oil inlet	: 3/4 "

cradle & bracket dimensions (mm)

cradle : no. 731 04 031	brackets : no. 014 14 653
J : 330	R : 50.5
K : 210	S : 120
L : 152	T : 155
M : 50	U : 50
N : 37	V : 37
O : 40	W : 17
P : 50	X : 15
Q : 60	

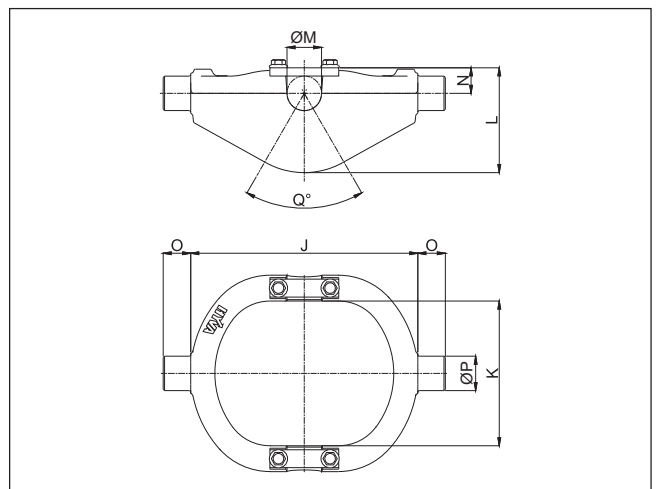
weight: 20.6 kg

weight: 1.5 kg

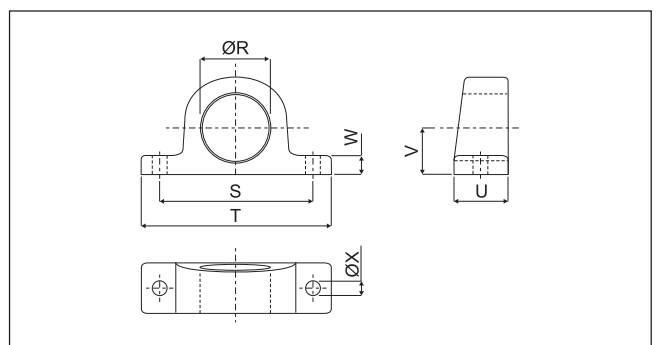
NOTE:

- Dimensions given include 20 mm pull-out; tolerances -5,+30
- Because of the short overlap of the tubes side load or bad alignment will result in leakage. Hyva strongly recommends to fit a cradle even in case cylinder tips only to the rear or only to the side.

cradle



brackets (2 required)



spare parts

seal kit	: 719 04 550 K
oil inlet adapter 3/4"	: 731 03 002

subject to change without notice

DO-E 71405421 / 09 03 11 / RV AA