

HYVA CYLINDERS



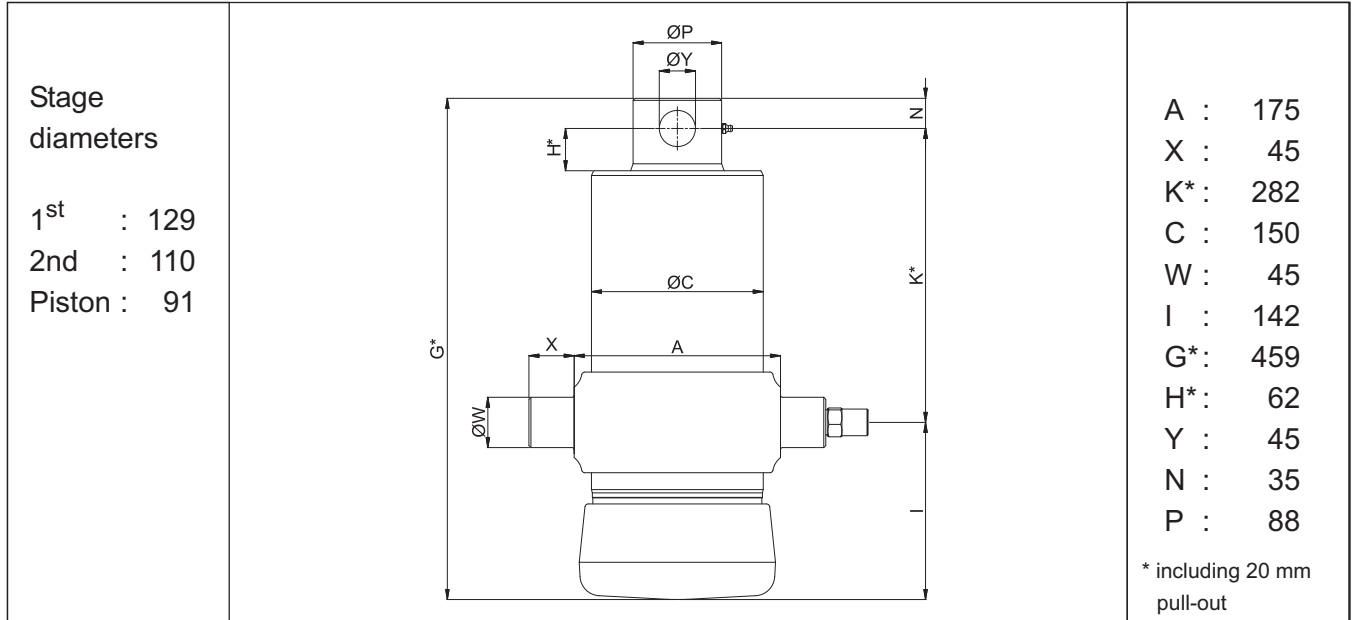
THREE-WAY / UNDERBODY TIPPING CYLINDER

Hyva

type : UCE 129-3-0700-K282-I142-45-1/2"-HC

part number cylinder only : 714 34 201

page # 1 / 1



specifications

type number	: UCE 129-3-0700-K282-I142-45-1/2"-HC
number of extensions	: 3
total stroke	: 700 mm
weight cylinder only	: 43 kg
tipping weight	: 15 ton
total volume	: 7.4 L
working volume	: 6.8 L
max. pressure	: 220 bar
oil inlet	: 1/2"

cradle & bracket dimensions (mm)

cradle : no. 731 04 021	brackets : no. 014 14 604
J : 280	R : 45.5
K : 180	S : 105
L : 135	T : 140
M : 45	U : 45
N : 35	V : 33
O : 40	W : 15
P : 50	X : 15
Q : 60	

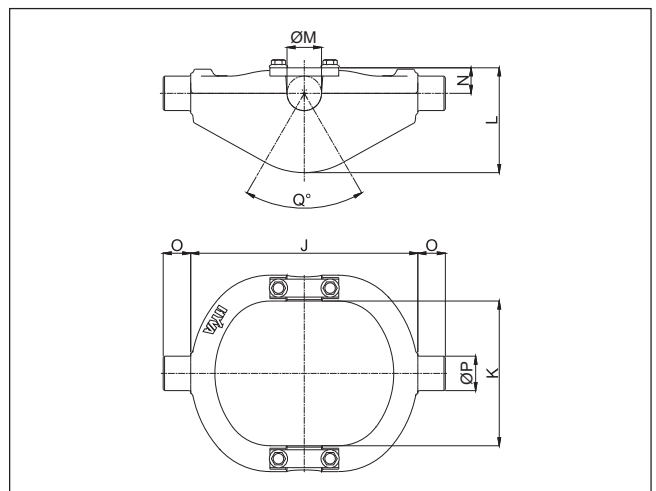
weight: 13.8 kg

weight: 1.2 kg

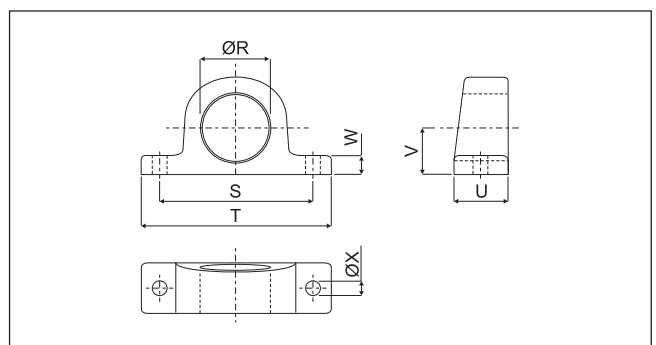
NOTE:

- Dimensions given include 20 mm pull-out; tolerances -5, +30
- Because of the short overlap of the tubes side load or bad alignment will result in leakage. Hyva strongly recommends to fit a cradle even in case cylinder tips only to the rear or only to the side.

cradle



brackets (2 required)



spare parts

seal kit:	: 719 04 430K
oil inlet adapter 1/2"	: 731 03 000